

FRIGGITRICI GAS 15L E900XP
GAS FRYERS 15L E900XP

| PNC | Model | Ref | Brand | Version | Notes |
|------------|--------------|------------|--------------|----------------|--------------|
| 391077 | E9FRGD1GF0 | a | ELX | 1 WELL | 1 BASKET |
| 391078 | E9FRGH2GF0 | b | ELX | 2 WELLS | 2 BASKETS |
| 392077 | Z9FRGD1GF0 | c | ZAN | 1 WELL | 1 BASKET |
| 392078 | Z9FRGH2GF0 | d | ZAN | 2 WELLS | 2 BASKETS |
| 393077 | A9FRGD1GF0 | e | OEM | 1 WELL | 1 BASKET |
| 393078 | A9FRGH2GF0 | f | OEM | 2 WELLS | 2 BASKETS |

Index

General components / Componenti struttura
Gas components / Componenti gas
Nozzles tables / Tabelle ugelli
Spare parts list / Lista ricambi

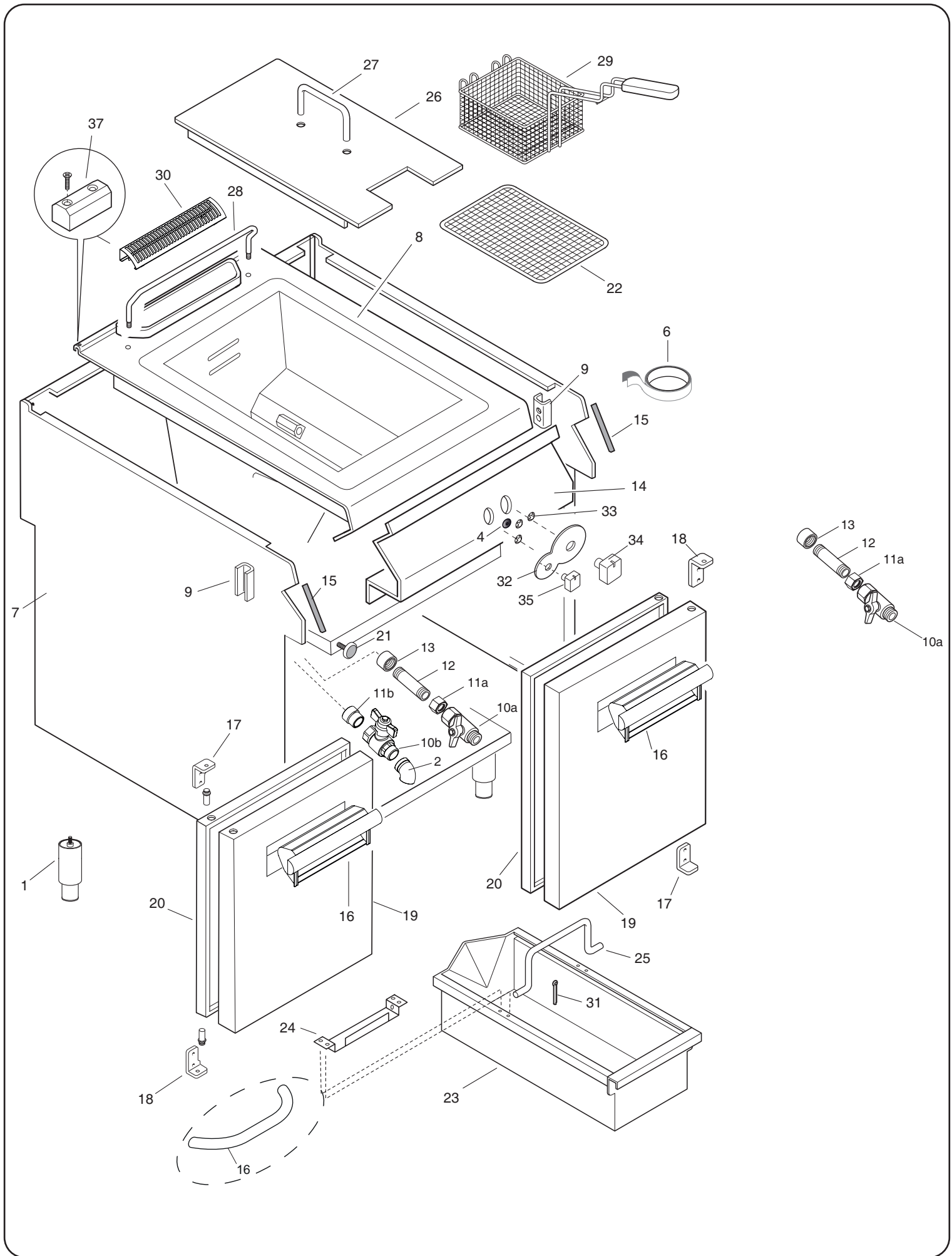
Page

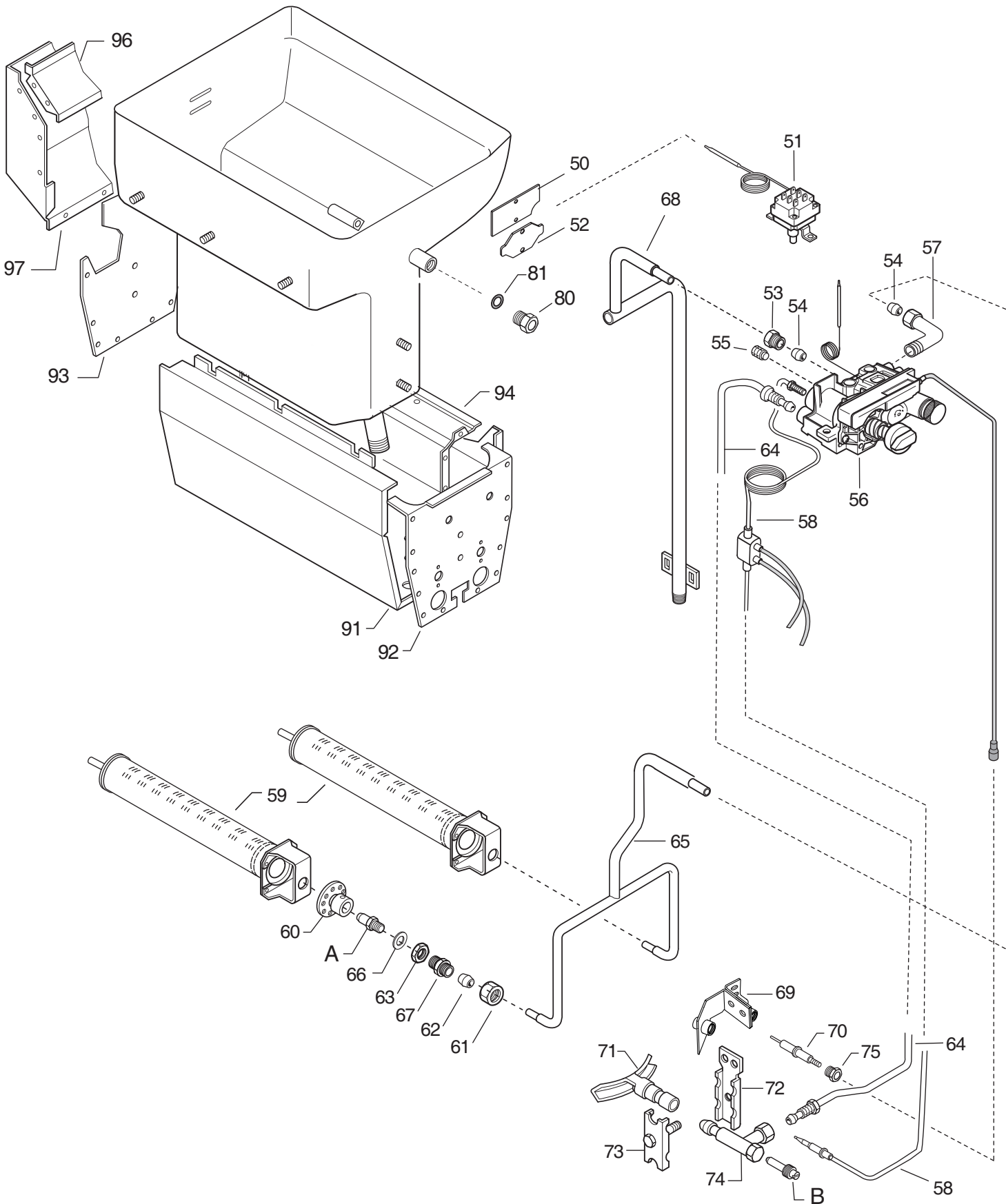
2
3
4
5,6

Bold=last change / Grassetto =ultima modifica

Rev. 6

| | | | |
|-------------------------------------|--------------------------------|---------|-------------------------|
| From Ser. Nr. 116 Up to Ser. Nr. | Ed. 2011-04 Updated 2023-01 | Page: 1 | Doc No:59785G100 |
|-------------------------------------|--------------------------------|---------|-------------------------|





| A - Ugello bruciatore / Burner nozzle | | | |
|----------------------------------------------|--------------------------|-----------|--------------|
| Spare Part Code | Reference / Notes | | |
| 004732 | ø1.35 | 3+3B/P | G30 30mbar |
| 004732 | ø1.35 | 3B/P | G30 50mbar |
| 004732 | ø1.35 | 3B/P | G30 37mbar |
| 0C0729 | ø2.40 | 2H/2E/2Es | G20 20mbar |
| 0C0729 | ø2.40 | 2E(R)B | G20 25mbar |
| 0C0730 | ø2.65 | 2Ei | G25 25mbar |
| 0C0730 | ø2.65 | 2E(R)B | G25 25mbar |
| 0C0730 | ø2.65 | 2ELL | G25 20mbar |
| 059363 | ø2.50 | 2K | G25.3 25mbar |
| 0C0730 | ø2.65 | 2L | G25 25mbar |
| 0C0730 | ø2.65 | 2S | G25.1 25mbar |
| 0C3079 | ø6.25 | no CE | G110 8mbar |

| B - Ugello pilota / Pilot nozzle | | | |
|-----------------------------------------|--------------------|-----------|--------------|
| Spare part Code | Ref./ Notes | | |
| 058525 | n°30 | 3+3B/P | G30 30mbar |
| 058525 | n°30 | 3B/P | G30 50mbar |
| 058525 | n°30 | 3B/P | G30 37mbar |
| 003327 | n°40 | 2H/2E/2Es | G20 20mbar |
| 003327 | n°40 | 2E(R)B | G20 25mbar |
| 003327 | n°40 | 2Ei | G25 25mbar |
| 003327 | n°40 | 2E(R)B | G25 25mbar |
| 003372 | n°40 | 2ELL | G25 20mbar |
| 003327 | n°40 | 2K | G25.3 25mbar |
| 003372 | n°40 | 2L | G25 25mbar |
| 003327 | n°40 | 2S | G25.1 25mbar |
| / | adjust | no CE | G110 8mbar |

FRIGGITRICI GAS 15L E900XP
GAS FRYERS 15L E900XP

| Pos | Spare Code | Factory Code | Descrizione | Description | Ref./Notes |
|-----|---------------|------------------|-----------------------------|---------------------------|----------------------|
| 1 | 0C0204 | 835856900 | PIEDE | FOOT | |
| 2 | 0CB646 | 51489GM00 | RACCORDO SCARICO | DRAIN CONNECTION | |
| 4 | 0C6171 | 541813800 | RONDELLA SILICONE | SILICONE WASHER | |
| 6 | * | 147018088 | ADESIVO STRUTTURALE | STRUCTURAL ADHESIVE | |
| 7 | 0CA526 | 85089DY02 | FASCIA 400mm | EXTERNAL PANEL 400mm | ELX |
| 7 | 0C9010 | 85089DZ02 | FASCIA 800mm | EXTERNAL PANEL 800mm | ELX |
| 7 | 0CB643 | 85089F302 | FASCIA 400mm | EXTERNAL PANEL 400mm | ZAN, OEM |
| 7 | 0C8984 | 85089F402 | FASCIA 800mm | EXTERNAL PANEL 800mm | ZAN, OEM |
| 8 | 0C7486 | 87089AF01 | RIPIANO / VASCA 400mm | WORKTOP / TANK 400mm | ELX |
| 8 | 0C7487 | 87089AG01 | RIPIANO / VASCA 800mm | WORKTOP / TANK 800mm | ELX |
| 8 | 0C7499 | 87089C002 | RIPIANO / VASCA 400mm | WORKTOP / TANK 400mm | ZAN, OEM |
| 8 | 0C7500 | 87089C102 | RIPIANO / VASCA 800mm | WORKTOP / TANK 800mm | ZAN, OEM |
| 9 | 0C0156 | 527850500 | PIASTRA FISSAGGIO FIANCHI | SIDE PANEL JOINTING PLATE | |
| 10a | 0A5439 | 835841201 | VALVOLA SCARICO 1' | DRAIN VALVE 1' | Up to 28/2017 |
| 10b | 005927 | 835848600 | VALVOLA SCARICO 3/4' | DRAIN VALVE 3/4' | From 29/2017 |
| 11a | 0C6805 | 511824800 | CONNESSIONE 3/4'-1' | CONNECTION 3/4'-1' | Up to 28/2017 |
| 11b | 0CB826 | 511851P00 | NIPPLO 3/4" M/F | 3/4" NIPPLE | From 29/2017 |
| 12 | 0C4913 | 513804700 | PROLUNGA PER SCARICO | DRAIN EXTENSION | Up to 28/2017 |
| 13 | 0C0637 | 517863700 | MANICOTTO 3/4' L.25 | 3/4' COUPLING | Up to 28/2017 |
| 14 | 0C7801 | 85589AG03 | CRUSCOTTO 400mm | CONTROL PANEL 400mm | ELX 400mm |
| 14 | 0C7514 | 87089HX02 | CRUSCOTTO 400mm | CONTROL PANEL 400mm | ZAN 400mm |
| 14 | | 800838L01 | CRUSCOTTO 400mm | CONTROL PANEL 400mm | OEM 400mm |
| 14 | 0C7739 | 85589AH03 | CRUSCOTTO 800mm | CONTROL PANEL 800mm | ELX 800mm |
| 14 | 0C7515 | 87089HZ02 | CRUSCOTTO 800mm | CONTROL PANEL 800mm | ZAN 800mm |
| 14 | | 800838M01 | CRUSCOTTO 400mm | CONTROL PANEL 800mm | OEM 800mm |
| 15 | 0C2496 | 543821900 | GUARNIZIONE X CRUSCOTTO | GASKET, CONTROL PANEL | |
| 16 | 0C7164 | 51589A700 | MANIGLIA | HANDLE | ELX |
| 16 | 0C8190 | 54887A802 | MANIGLIA | HANDLE | ZAN |
| 16 | 0A5021 | 854864203 | MANIGLIA | HANDLE | OEM |
| 17 | 0C0138 | 516860801 | CERNIERA | HINGE, DOOR | |
| 18 | 0C0139 | 516860901 | CERNIERA | HINGE, DOOR | |
| 19 | 0C7157 | 50389G300 | PORTA | DOOR | ELX, ZAN |
| 19 | * | 50389MB01 | PORTA | DOOR | OEM |
| 20 | 0C7158 | 50489CQ00 | CONTROPORTA | INNER DOOR | |
| * | 0C7163 | 85589CT01 | ASSIEME PORTA | COMPLETE DOOR | ELX |
| * | 0C7165 | 85589CU05 | ASSIEME PORTA | COMPLETE DOOR | ZAN |
| * | 0C7627 | 85589CV00 | ASSIEME PORTA | COMPLETE DOOR | OEM |
| 21 | 0C0201 | 830898200 | MAGNETE PER PORTA | MAGNET, DOOR | |
| 22 | 005932 | 830822500 | GRIGLIA DI FONDO | GRATE FOR BOTTOM | |
| 23 | 005922 | 502898403 | BACINELLA PER OLIO | BASIN FOR BASIN | |
| 25 | 005923 | 516843003 | MANIGLIA BACINELLA | HANDLE, BASIN | |
| 26 | 0C0639 | 529867900 | COPERCHIO | LID | |
| 27 | 0C0614 | 511819000 | MANIGLIA COPERCHIO | HANDLE, LID | |
| 28 | 0C0640 | 516862900 | SUPPORTO PER CESTELLO | SUPPORT; BASKET | Up to 6221 |
| 28 | 0CA773 | 516862901 | SUPPORTO PER CESTELLO | SUPPORT; BASKET | From 6231 |
| 29 | 005933 | 830822603 | CESTELLO | BASKET | |
| 30 | 0C7333 | 50389LP00 | GRIGLIA CAMINO | CHIMNEY GRID | |
| 31 | 0C0477 | 219293205 | COPIGLIA | COTTER | |
| 32 | 0C7802 | 548877500 | GHIERA | RING, KNOB | ELX |
| 32 | 0C7484 | 548879800 | GHIERA | RING, KNOB | ZAN, OEM |

FRIGGITRICI GAS 15L E900XP
GAS FRYERS 15L E900XP

| Pos | Spare Code | Factory Code | Descrizione | Description | Ref./Notes |
|-----------|---------------|------------------|----------------------------------------------|---------------------------------------|-----------------------------------------------|
| 33 | 069567 | 218912211 | MOLLA PER GHIERA | SPRING, RING KNOB | |
| 34 | 0C7330 | 511850D01 | MANOPOLA TERMOSTATO | THERMOSTAT KNOB | ELX |
| 34 | 0C7179 | 548877Z01 | MANOPOLA TERMOSTATO | THERMOSTAT KNOB | ZAN |
| 34 | 0C5252 | 548872700 | MANOPOLA TERMOSTATO | THERMOSTAT KNOB | OEM |
| 35 | 0C2021 | 548863303 | MANOPOLA ACCENDITORE | LIGHTER KNOB | ELX |
| 35 | 0C7181 | 548878303 | MANOPOLA ACCENDITORE | LIGHTER KNOB | ZAN |
| 35 | 0C0190 | 548856603 | MANOPOLA ACCENDITORE | LIGHTER KNOB | OEM |
| 37 | 0C0137 | 516860700 | PIASTRA GIUNZIONE APPARECC. | JOINTING REAR PLATE | |
| 50 | 0C4748 | 569806300 | ISOLANTE BULBO | SAFETY THERMOSTAT BULB INSULATION | |
| 51 | 0C4279 | 646816500 | LIMITATORE DI TEMPERATURA | SAFETY THERMOSTAT | |
| 52 | 0C4749 | 527871901 | SUPPORTO BULBO LIMITATORE | SAFETY TERM. BULB SUPPORT | |
| 53 | 051950 | 514862501 | RACCORDO 3/8" | 3/8" PIPE FITTING | |
| 54 | 050682 | 215170716 | OGIVA | RING | |
| 55 | 0C0625 | 516865800 | TAPPO PER VALVOLA | STOPPER, VALVE | |
| 56 | 0C5248 | 835859703 | VALVOLA GAS | GAS VALVE | |
| 57 | 0C0631 | 515863200 | RACCORDO A "L" | L PIPE FITTING | |
| 58 | 0C3162 | 831818901 | TERMOCOPPIA; INTERROTTA | THERMOCOUPLE; INTERRUPTED | |
| 59 | 005929 | 830822201 | BRUCIATORE | BURNER | |
| 60 | 054039 | 830828001 | AERATORE | AERATOR | |
| 61 | 041155 | 214108111 | DADO | NUT | |
| 62 | 060325 | 215073101 | BICONO | DOUBLECONE | |
| 63 | 020997 | 214105101 | CONTRODADO | LOCK NUT | |
| 64 | 0C0725 | 517873000 | CONDUTTURA PILOTA | PIPE, PILOT | |
| 65 | 0C0726 | 853858100 | RIBALTA FRIGG. | MANIFOLD | |
| 66 | 054029 | 506833401 | GUARNIZIONE | GASKET | |
| 67 | 054118 | 514829700 | PORTAUGELLO | INJECTOR HOLDER | |
| 68 | 0CB744 | 87089MZ00 | ENTRATA GAS FRIGG.15L | GAS INLET 15L | |
| 68 | 0CA801 | 87089MY00 | ENTRATA GAS FRIGG.15+15L | GAS INLET 15+15L | |
| 69 | 0C4365 | 831819400 | SUPPORTO PILOTA | SUPPORT, PILOT | |
| 70 | 0C7141 | 569807J00 | ELETTRODO; ACCENSIONE | ELECTRODE | |
| 71 | 0A5441 | 830819200 | CANNELLO PILOTA | BLOW PIPE | |
| 72 | 052256 | 206993500 | STAFFA | BRACKET | |
| 73 | 052246 | 206649700 | STAFFA | BRACKET | |
| 74 | 006725 | 835854800 | PILOTA | PILOT BURNER | |
| 75 | 057960 | 214164101 | RACCORDO ELETTRODO | PIPE FITTING, ELECTRODE | |
| 80 | 059295 | 514874500 | RACCORDO | PIPE FITTING | |
| 81 | 059293 | 543815000 | GUARNIZIONE | GASKET | |
| 91 | 0CA071 | 533820703 | CAMERA DI COMBUSTIONE | COMBUSTION CHAMBER | |
| 92 | * | 533820202 | PARETE ANT. CAM. COMB. | FRONT PANEL | |
| 93 | * | 533819902 | PARETE POST. CAM. COMB. | REAR PANEL | |
| 94 | 0CA391 | 533820503 | DEFLETTORE/CONVOGLIATORE FUMI | DEFLECTOR/SMOKE CONVEYOR | |
| 96 | 0CA392 | 533820301 | PARETE ANT. CAMINO | FRONT CHIMNEY | |
| 97 | * | 533820401 | PARETE POST. CAMINO | REAR CHIMNEY | |
| * | 0CB467 | * | KIT MANUTENZIONE FRIGGITRICI GAS 15LT E900 | E900 15LT GAS FRYER MAINTENANCE KIT | 15LT (15+58+70+75+80+81+0C7190) |
| * | 0CB468 | * | KIT MANUTENZIONE FRIGGITRICI GAS 2x15LT E900 | E900 2x15LT GAS FRYER MAINTENANCE KIT | 2x15LT (15+2x58+2x70+2x75+2x80+2x81+2x0C7190) |

FRIGGITRICI GAS 15L E900XP
GAS FRYERS 15L E900XP

| Pos | Spare Code | Factory Code | Descrizione | Description | Ref./Notes |
|-----|------------|--------------|-------------|-------------|------------|
|-----|------------|--------------|-------------|-------------|------------|